



Over **100 million** **VEKA Windows and Doors** fitted around the world is a strong testament to VEKA's unrivalled leadership in design and manufacture of uPVC Profile Systems





VEKA Worldwide - a Global Commitment- History records the years of accomplishment

>> VEKA AG was established in 1969 in Sendenhorst, which is in the northern part of Germany. The VEKA success story can be traced from its humble beginning as a small factory engaged in roller shutter production till today – a multinational corporation with 18 factories around the world – the undisputed industry leader.

>> From the early days of VEKA, Mr. Heinrich Laumann, founder and chairman of VEKA, with the foresight to continually open up new markets, has led VEKA AG in its growth to become a worldwide leader in uPVC profiles and PVC sheet systems - creating VEKA world renowned trademark today.

>> VEKA AG has 150-state of the Art-Extrusion Lines with a product range of more than 2000 different profiles.

>> In 1993 , VEKA AG obtained the certification of ISO9001 which covers all areas from production to development, from administration to logistics. All VEKA subsidiaries worldwide follow the ISO9001 guidelines.

>> In the fiscal year of 2006 , VEKA AG sold 500,000 tons of profiles with revenue of almost USD 1 billion.

>> The material used for windows and doors has been developing for hundreds of years. From wooden, iron and aluminum windows, assembled in handicraft environments to today's highly precise produced uPVC windows and doors in an industrial set-up.

>> Today uPVC windows are the material of choice. uPVC windows and doors play an increasingly important role in energy conservation efforts in the building industry.



VEKA Group Worldwide

VEKA, the market leader in uPVC window and door profiles, is well represented around the world with numerous factories and sales facilities. VEKA understands that various cultures require different design solutions, as windows and doors are a part of the day-to-day culture of each country. The VEKA Group with more than 3000 different uPVC Profiles provides a solution for all the window requirements around the world.

Around the world, VEKA is the leading expert in uPVC window and door solutions. Quality and Service is our Mission Statement.



VEKA
Umwelttechnik GmbH.

VEKA
SAS.

VEKA
Plc.

VEKA
Iberica

VEKA
Platten S.A.



Profiles with System - Worldwide

Windows and doors - Always the Best Solution VEKA

The Asian economy has enjoyed steady growth in recent years. The standard of living increased with higher demands for infrastructure projects, both residential and commercial. With an ever advancing building technology, houses and commercial buildings are being built with the latest technology to provide a higher level of comfort.

However in Asia, more than 95% of newly completed buildings have higher energy consumption than to comparable buildings around the world. To save valuable energy resources for generations to come, energy conservation must be the first priority.

Up to 50% of energy consumption of a building is related to heat gain or loss through windows and doors. uPVC windows are the right choice, as uPVC has one of the best insulation values. With more than 40 years of history, uPVC windows have a proven track record to perform and deliver energy efficient solutions.

In the 20 years of uPVC window usage in Asia, uPVC windows started with a low acceptance. Today uPVC windows are the material of choice. uPVC windows and doors play an increasingly important role in energy conservation efforts in the building industry.

Asia accounts for 30% of the world's land mass. Its northern edges lie in the Arctic North and its southern tips reach the equator. This broad spectrum of climate demands high performance from the material used to build windows. uPVC Profiles deliver these needed properties addressing the full range of climates in Asia.

VEKA - Malaysia



We, VEKA Plastics (Malaysia) Sdn Bhd, one of the branches of Veka Germany, the world leading manufacturer of uPVC window and door profile systems. All window and door produced by us are backed by the technical expertise and technology transfer from our VEKA headquarters – the undisputed world leader in quality uPVC window and door profile systems.

Our commitment to providing only the finest window and door systems, you are assured that every time you choose a VEKA window and door system, you can be confident of making the perfect decision. One that can withstand not just the scrutiny of mankind, but also the forces of nature.

VEKA
Ploska Sp.Zo.O.



VEKA
RUS.



VEKA
RUS.



VEKA
Inc.



VEKA
West Inc.





Combination of Technology and Equipment Service-Oriented Staff Committed to Excellence VEKA's Success in Asia



Currently in Asia, VEKA has 20 extrusion lines imported from Germany and more than 200 sets of imported dies with total annual capacity of 20,000 tons of high quality uPVC profiles for windows and doors.

During the past two years alone, continually adapting to new requirements of the developing market, VEKA has developed more than ten new profile systems comprising of nearly a hundred new products, which includes the MD58, MD65 Casement systems, 73 Sliding Door and 153 Lift and Slide Door systems.

Various colored profiles, requested often from our customers in Asia, have been developed and multiple solutions area available today. Full color profiles vacuums prayed profiles on the outside and laminated on the inside, both sides laminated with weather resistant foil in various colors and wood finishes, PMMA co-extruded profiles and aluminum-PVC composite profiles are all solutions for today.



VEKA manages its production and business activities strictly based on ISO9001 Quality Assurance System in conjunction with VEKA's internal quality control guidelines. Each phase of the process; production, testing, packaging, storage all details are strictly controlled by this system. VEKA is fully committed to the best quality achievable. This is one of the reasons why more and more window producers rely on the VEKA brand.



With an ever-increasing variety of products, production planning and related logistical solutions are crucial for a company like VEKA. Developing our own IT solutions enables VEKA to plan an efficient production and time commitment in advance, even for special custom-made products. Delivery promises made to our customers are honored.



All the standard products are kept on stock in sufficient amounts, so we can offer a delivery lead-time for standard products within 48 hours.



In order to meet promised delivery times, VEKA keeps an extensive stock of products in its various facilities around Asia. As an AAMA certified production company, we always meet the quality expectations of all international standards. All products are produced using these internationally accepted norms. Internal ISO certification ensures a steady workflow and quality control.



For VEKA® the best solution always combines best performance and the most appreciated design.

In the last decade, with an ever-increasing demand for petrol and rising prices, energy savings has become a responsibility for everybody.

Windows and doors are the main elements to be considered for energy conservation in buildings. U-Value is the thermal transmission coefficient of doors and windows.

The thermal transmission coefficient, U-Value of windows, is calculated as W/m^2K and refers to the amount of heat energy (W) given out per area (m^2) at a given temperature difference (K).

A lower U-Value means a window has a better insulation performance; a higher U-Value is calculated for windows with a lesser performance

Current European standards request for windows to have an $U^o < 2.0 W/m^2K$, but mostly used windows will have an U-Value of 1.3-1.5. The U-value of a window can be calculated. Any calculation must be verified by an actual test. This standard test will take place in dependent internationally recognized test centers in a standardized test set-up.



Details defined Quality

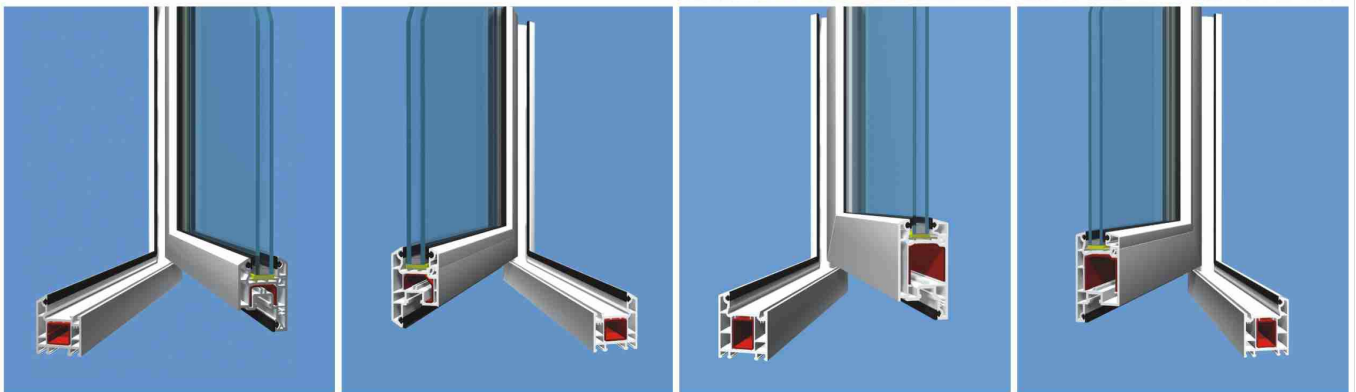
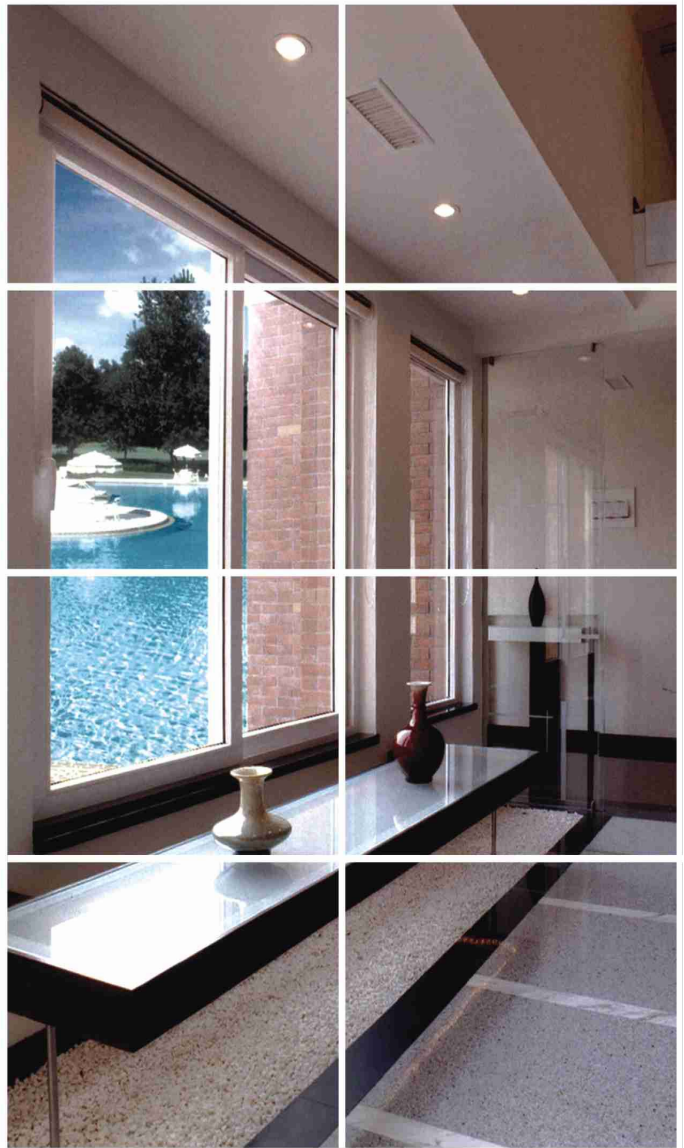
The "little things" make the difference in performance and better service. We pay special attention to details. These details have a direct bearing on quality. From the choice of raw materials, through the extrusion process and all the way to the manufacturing of the windows, strong emphasis is placed on details.

Our Quality is Your Quality



VEKA® SOFTLINE CASEMENT WINDOW AND DOOR SERIES

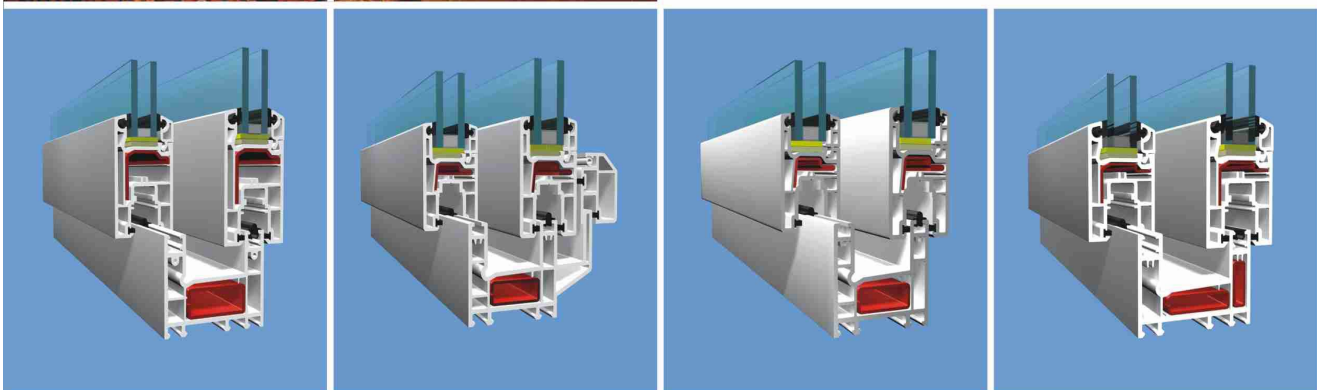
- The 3 or multiple chamber design strengthens heat-insulation and sound insulation.
- Drainage placed at outer side to separate it from other function chambers.
- Spacious steel chamber to enhance the strength of uPVC windows.
- Intersecting drainage system with enhanced air and water tightness in addition to a dust proof effect.
- Uniform location features allow for greater flexibility in combining with various coupling profiles.
- Use of both internal and external EPDM gasket to improve water tightness.
- Enhanced stability with depth of 21mm for the glazed groove.
- Special glazing wedges for easy installation of varied types of glass.
- Interchangeable glazing beads for single or double-glazed installations.
- Standardized Euro-groove feature allows for easy installation with standard fixing hardware, like inward opening, casement and tilt and turn hardware.
- Profile section and thickness are designed to minimize fabrication wastage and reduce window cost.
- A sophisticated technology combining various kinds of profiles ensuring a guaranteed interior glass assembly.
- Special guiding features allow for easy installation of hardware and enhance installation durability.





VEKA® SOFTLINE SLIDING WINDOW AND DOOR SERIES

- The 3 or multiple chamber design strengthens heat-insulation and sound insulation.
- Drainage placed at outer side to separate it from other function chambers.
- Spacious steel chamber to enhance the strength of uPVC windows.
- Intersecting drainage system with enhanced air and water tightness in addition to a dust proof effect.
- Uniform location features allow for greater flexibility in combining with various coupling profiles.
- Standardized Euro-groove feature allows for easy installation of multi-lock-point transmission and roller pulley.
- Special guiding features allow for easy installation of hardware and enhance installation durability.
- Special designed bridge feature at intersection between two leafs of windows to improve window tightness.
- Enhanced stability with depth of 21mm for the glazed groove.
- Special glazing wedges for easy installation of varied types of glass.
- Interchangeable glazing beads for single or double-glazed installations.
- Special sash interlocking design and use of pile weather-stripping to improve air tightness and water tightness.
- Easy to change aluminum track for long service life.
- Profile section and thickness are designed to minimize fabrication wastage and reduce window cost.
- A sophisticated technology combining various kinds of profiles ensuring a guaranteed interior glass assembly.



VEKA Plastics (Malaysia) Sdn.Bhd.

104 , Jalan Sawit Baru 7, Kawasan Perindustrian Sawit Baru ,
81030 , Kelapa Sawit , Kulai , Johor , Malaysia .

Tel : 0060 - 76525520 Fax : 0060 - 76525519

Website : www.veka.com.my Email : sales@veka.com.my

SINGAPORE

10 Anson Road
#24-06A International Plaza
Singapore 079903
Tel:0065-6324 1533
Fax:0065-6324 1633

MALAYSIA

104 Jalan Sawit Baru 7
Kawasan Perindustrian
Sawit Baru 81030
Kelapa Sawit Kulai Johor
Malaysia
Tel:0060-7 6525520
Fax:0060-7 6525519

THAILAND

947 MOO 12 Thosapol 3 Bldg.
Tower A, 5TH Floor, Room CI
Bangna-trad Rd. 3.5km Bangna,
Bangkok 10260
Tel: (66-2) 744-1438
(66-2) 744-1439
Fax: (66-2) 744-1440



SHANGHAI

NO 39 , Minyi Road
Songjiang District
Shanghai 201612 , P.R.C
Tel: (86-21) 57686111
Fax: (86-21) 57686222

MALAYSIA

Lot 1.4, Level 1,
PNB Darby Park,
No. 10, Jalan Binjai,
50450 Kuala Lumpur.
Tel: 0060-3 21610030
Fax:0060-3 21612954

INDIA

A 74/1, Khairane MIDC,
NAVI MUMBAI -400709,
India
Tel: (91) 22-27781596
Fax: (91) 22-27781594

HONG KONG

2104 Vicwood Plaza,
199 Des Voeux Road
Central, Hong Kong
Tel: (852) 2545 2431
Fax: (852) 2815 1076

VIETNAM

6th floor,lot B3
Nguyen Tuan, Thanh Xuan
Hanoi, Vietnam
Tel: (84-4) 5574555
Fax: (84-4) 5574556

